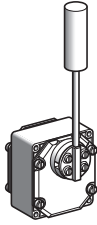
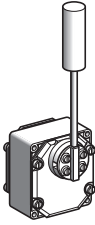
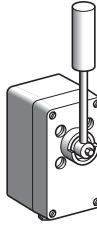


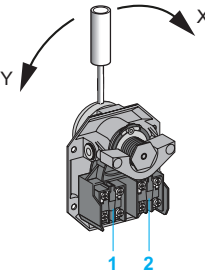
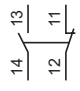
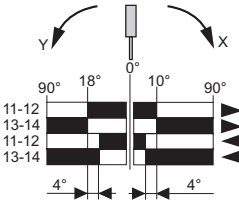
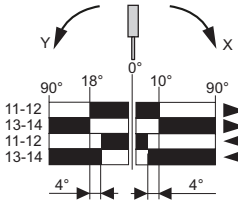
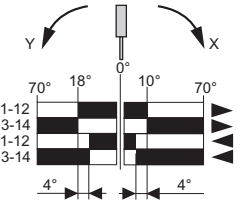
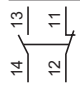
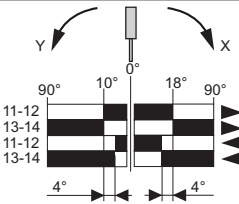
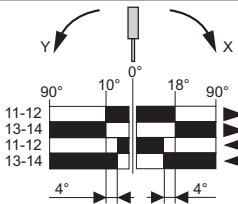
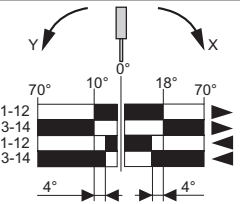
Limit switches

XC Special range


For conveyor belt shift monitoring applications, XCRT
Complete switches with 1 cable entry

Type of switch	Standard	For corrosive atmospheres	
			
Features	Zinc alloy enclosure Colour: industrial blue Zinc plated steel lever, spring return to off position Cam angles: 10° and 18° Maximum displacement: 90°	Zinc alloy enclosure Colour: blue Stainless steel lever, spring return to off position Cam angles: 10° and 18° Maximum displacement: 90°	Glass reinforced polyester enclosure Colour: grey Stainless steel lever, spring return to off position Cam angles: 10° and 18° Maximum displacement: 70°

References of complete switches

2 single-pole CO snap action	XCRT115	XCRT215	XCRT315
 <p>1: 1st contact</p> 			
<p>2: 2nd contact</p> 			



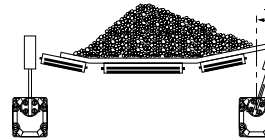
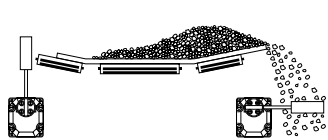
Weight (kg)	1.170	1.170	1.520
-------------	-------	-------	-------

Contact operation	 closed  open
-------------------	--

Complementary characteristics

Lever maximum actuation speed	1.5 m/s
Belt maximum speed	4 m/s
Machnical durability	0.3 million operating cycles
Minimum tripping torque	1.7 N.m
Cable entry	1 entry tapped for Pg 13.5 cable gland conforming to NF C 68-300 (DIN Pg 13.5) Clamping capacity 9 to 12 mm

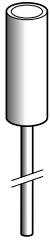
Switch operation

Normal position	Fault signalling	Stopping of the conveyor belt	Maximum rotation
			

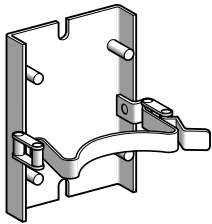
Limit switches

XC Special range

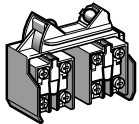
For conveyor belt shift monitoring applications,
XCRT



XCRZ9●●



XCRZ09



XCRZ42

Separate components

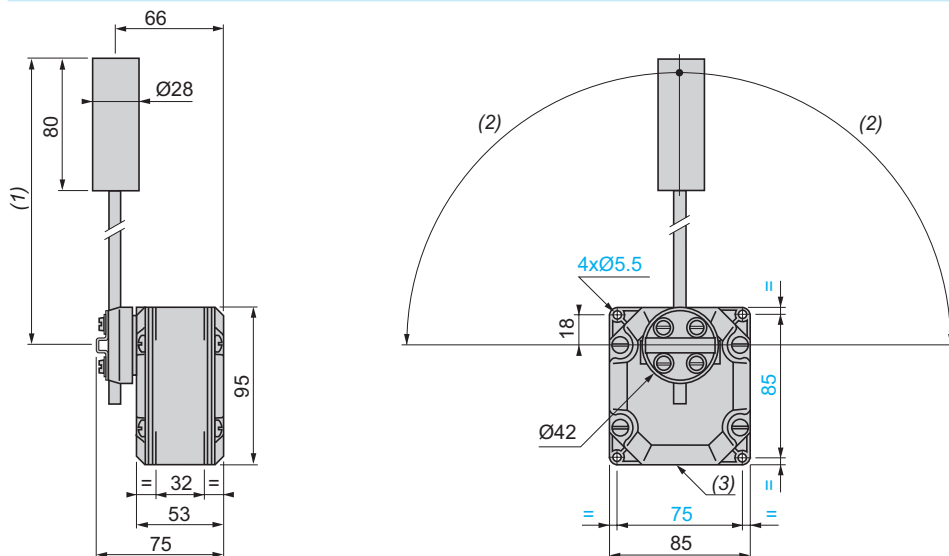
Description	Type	For switches	Reference	Weight kg
Roller with lever	Zinc plated steel	XCRT115	XCRZ901	0.230
		XCRT215		
	Stainless steel	XCRT115	XCRZ902	0.230
		XCRT215		
		XCRT315	XCRZ903	0.230
Quick fixing/release bracket	–	XCRT115 XCRT215	XCRZ09	0.520
Contact block (2 contacts) with mounting plate	Single-pole CO snap action	XCRT●15	XCRZ42	0.135

Limit switches

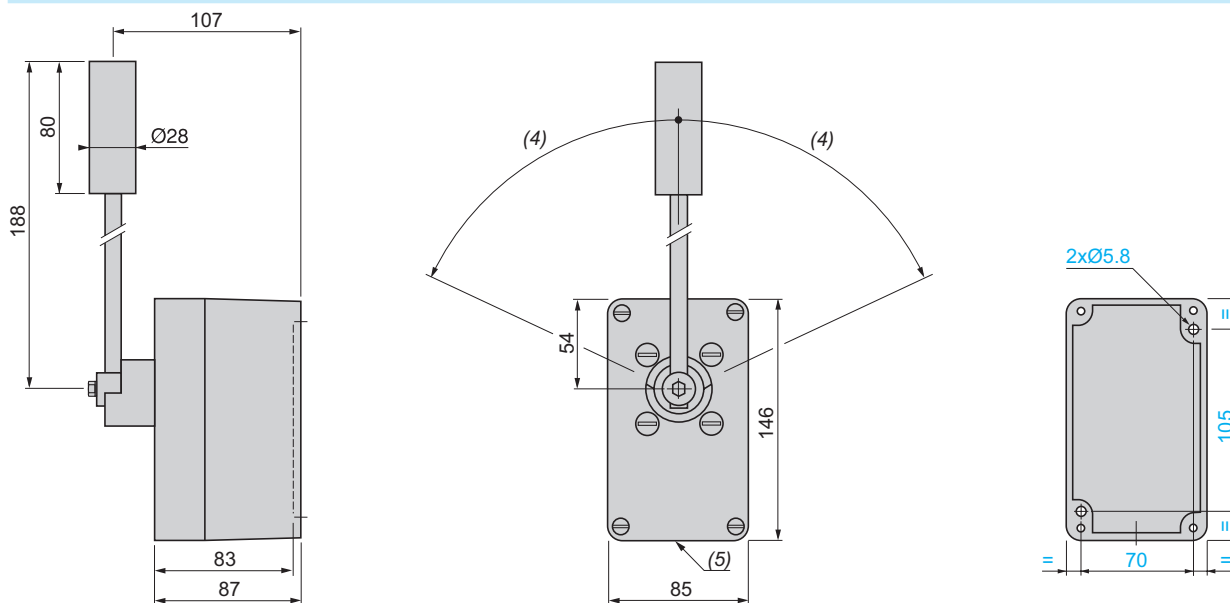
XC Special range

For conveyor belt shift monitoring applications,
XCRT

XCRT115, XCRT215



XCRT315



(1) 200 max., 104 min.

(4) 70° max.

(2) 90° max.

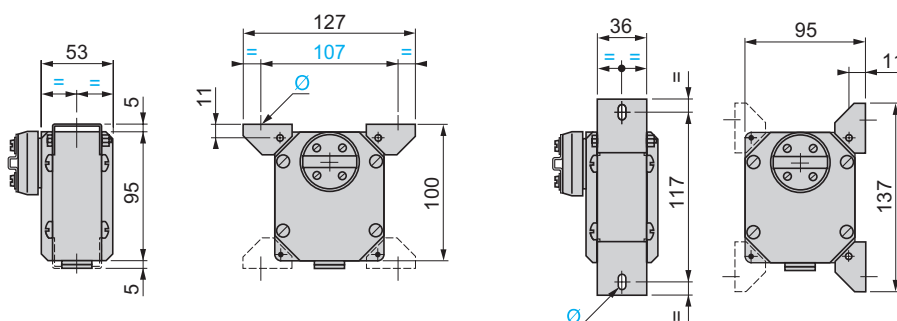
(5) 1 plain entry for Pg 13.5 cable gland.

(3) 1 tapped entry for Pg 13.5 cable gland.

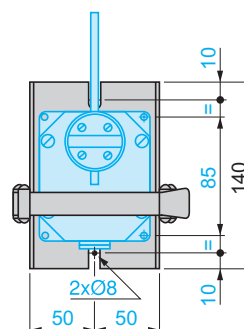
Supplementary fixing using 2 adjustable lugs (included with XCRT115 and XCRT215)

Horizontally positioned

Vertically positioned



Quick fixing/release bracket XCRZ09



Ø: 1 elongated hole Ø 6 x 8.